

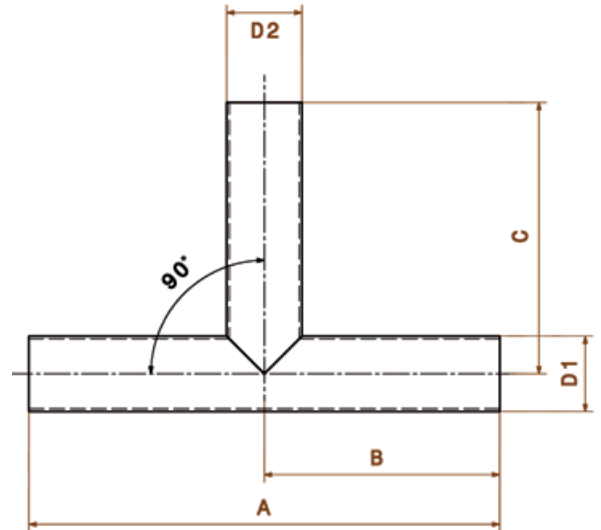
Stainless steel T-pieces 90°

laser-cut and welded

■ material no. AISI 304 / 304L

at request also in aluminium

- forming gas welded – price at request
- custom-made products possible at short notice



diameter	article number	A	B	C
38.0 x 1.5 mm	803819001	250 mm	125 mm	143 mm
40.0 x 1.5 mm	804019001	250 mm	125 mm	144 mm
40.0 x 2.0 mm	804019002	250 mm	125 mm	145 mm
45.0 x 1.5 mm	804519001	250 mm	125 mm	147.5 mm
50.0 x 1.5 mm	805019001	250 mm	125 mm	149 mm
50.0 x 2.0 mm	805019002	250 mm	125 mm	149 mm
54.0 x 2.0 mm	805419001	250 mm	125 mm	152 mm
60.3 x 2.0 mm	806019001	260 mm	130 mm	154.15 mm
60.3 x 1.5 mm	806019002	250 mm	125 mm	154.15 mm
63.5 x 2.0 mm	806319001	260 mm	130 mm	155.75 mm
65.0 x 2.0 mm	806519001	300 mm	150 mm	152.5 mm
70.0 x 2.0 mm	807019001	300 mm	150 mm	155 mm
76.1 x 2.0 mm	807619001	300 mm	150 mm	158.05 mm
80.0 x 1.5 mm	808019002	350 mm	175 mm	189 mm
80.0 x 2.0 mm	808019001	350 mm	175 mm	189 mm
84.0 x 2.0 mm	808419001	300 mm	150 mm	191 mm
85.0 x 2.0 mm	808519001	300 mm	150 mm	191 mm
88.9 x 2.0 mm	808819001	300 mm	150 mm	194.45 mm
100.0 x 1.5 mm	810019001	350 mm	175 mm	200 mm
101.6 x 2.0 mm	810119001	350 mm	175 mm	200 mm
104.0 x 2.0 mm	810419001	350 mm	175 mm	201 mm
114.3 x 2.0 mm	811419001	350 mm	175 mm	207.15 mm
129.0 x 2.0 mm	812919001	450 mm	225 mm	244.5 mm
139.7 x 2.0 mm	813919001	450 mm	225 mm	250 mm
154.0 x 2.0 mm	815419001	554 mm	277 mm	277 mm